



# **MMA1L30-CR 100GbE QSFP28 CWDM4 Transceiver Product Specifications**

# Table of Contents

<b>Introduction.....</b>	<b>3</b>
Key Features.....	3
Applications.....	3
<b>Pin Description .....</b>	<b>5</b>
QSFP28 Pin Function Description .....	5
QSFP28 Module Pad Layout.....	6
Control Signals .....	6
Diagnostics and Other Features.....	7
<b>Specifications.....</b>	<b>8</b>
Absolute Maximum Specifications .....	8
Recommended Operating Conditions and Power Supply Requirements .....	8
Electrical Specifications .....	8
Optical Specifications .....	9
Eye Mask Definition.....	10
Electrostatic Discharge (ESD) .....	10
Handling and Cleaning .....	11
Mechanical Specifications .....	11
Memory Map .....	11
Label.....	11
Backshell Label Legend .....	12
Regulatory Compliance and Classification .....	12
FCC Class A Notice .....	12
<b>Ordering Information.....</b>	<b>14</b>
<b>References .....</b>	<b>15</b>
<b>Appendix: Optical Connector and Patch Cable.....</b>	<b>16</b>
<b>Appendix: 40G Operation.....</b>	<b>17</b>
<b>Document Revision History .....</b>	<b>19</b>

---

# Introduction

NVIDIA® MMA1L30-CM transceiver is a single mode 4- channel (CWDM4), QSFP28 optical transceiver, designed for use in 100 Gigabit Ethernet (GbE) links on up to 2km of single mode fiber. It is also qualified for use in InfiniBand EDR end-to-end systems.

Two options of the transceiver are available - Option 1 and Option2, with identical functionality but with minor mechanical differences. The module (in both options) converts 4 input channels of 25 Gb/s electrical data to 4 channels of CWDM optical signals and then multiplexes them into a single fiber, using a nominal wavelength of 1310nm, for 100Gb/s optical transmission. Reversely on the receiver side, the 100Gb/s optical input is demultiplexed into 4 channels of CWDM optical signals and then converted to 4 output channels of electrical data.

The MMA1L30-CM has selectable retiming as specified in the SFF-8636 MSA. The transceiver can therefore be used in both 40 and 100 GbE applications.

Digital diagnostic monitoring functions for temperature, supply voltage, and optical power are available via the two-wire (I2C) management interface, as specified by the QSFP28 MSA.

The optical connector is a duplex LC/UPC (un-angled) connector intended for a pair of single mode fibers.

Rigorous production testing ensures the best out-of-the-box installation experience, performance, and durability.



## Key Features

- Up to 100Gb/s data rate
- CWDM4 MSA Revision 1.1 compliant
- Up to 2km reach on Single Mode Fiber (SMF) at 100 Gb/s
- 40 Gb/s operation for backward compatibility
- Two Wire Serial Interface with Digital Diagnostic Monitoring
- Single +3.3V supply
- Hot pluggable
- Operating case temperature of 0-70°C
- QSFP28 Power Class 4 (3.5 W max.)
- Duplex LC connector
- RoHS compliant
- SFF-8665 compliant QSFP28

## Applications

- IEEE 802.3bm CAUI-4 100G Ethernet
- Qualified for use in NVIDIA Ethernet and InfiniBand end-to-end systems



Images are for illustration purposes only. Product labels and colors may vary.

# Pin Description

## QSFP28 Pin Function Description

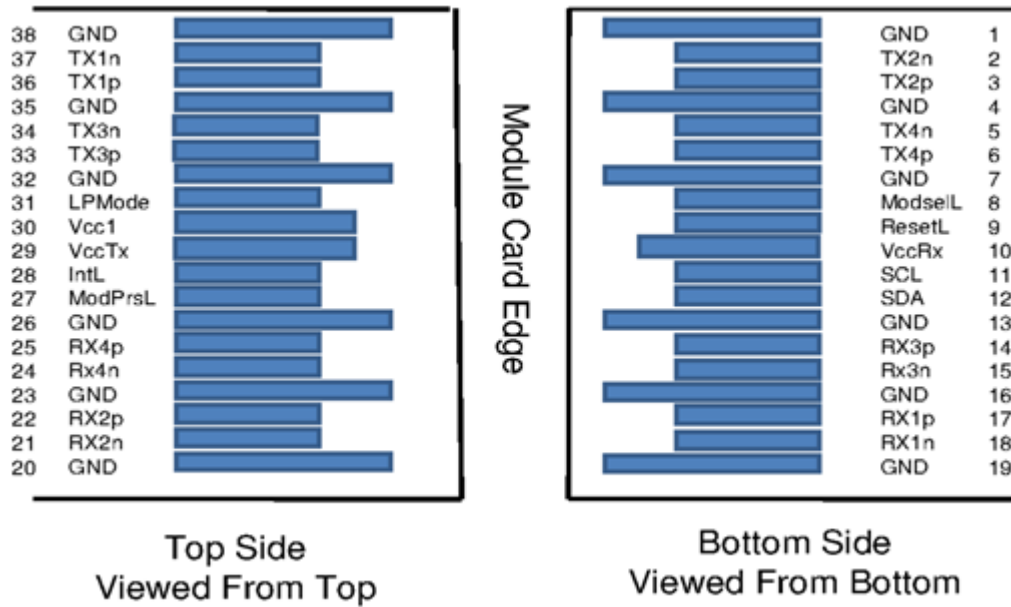
The transceiver's pin assignment is SFF-8679 compliant.

Pin	Symbol	Description	Pin	Symbol	Description
1	GND	Ground	20	GND	Ground
2	Tx2n	Transmitter Inverted Data Input	21	Rx2n	Receiver Inverted Data Output
3	Tx2p	Transmitter Non-Inverted Data Input	22	Rx2p	Receiver Non-Inverted Data Output
4	GND	Ground	23	GND	Grounds
5	Tx4n	Transmitter Inverted Data Input	24	Rx4n	Receiver Inverted Data Output
6	Tx4p	Transmitter Non-Inverted Data Input	25	Rx4p	Receiver Non-Inverted Data Output
7	GND	Ground	26	GND	Ground
8	ModSelL	Module Select	27	ModPrsL	Module Present
9	ResetL	Module Reset	28	IntL	Interrupt
10	Vcc Rx	+3.3V Power Supply Receiver	29	Vcc Tx	+3.3V Power Supply Transmitter
11	SCL	2-wire Serial Interface Clock	30	Vcc1	+3.3V Power Supply
12	SDA	2-wire Serial Interface Data	31	LPMODE	Low Power Mode
13	GND	GND	32	GND	Ground
14	Rx3p	Receiver Non-Inverted Data Output	33	Tx3p	Transmitter Non-Inverted Data Input
15	Rx3n	Receiver Inverted Data Output	34	Tx3n	Transmitter Inverted Data Input
16	GND	Ground	35	GND	Ground
17	Rx1p	Receiver Non-Inverted Data Output	36	Tx1p	Transmitter Non-Inverted Data Input
18	Rx1n	Receiver Inverted Data Output	37	Tx1n	Transmitter Inverted Data Input
19	GND	Ground	38	GND	Ground

### Notes:

- GND is the symbol for signal and supply (power) common for the QSFP28 module. All are common within the module and all module voltages are referenced to this potential unless otherwise noted. Connect these directly to the host board signal common ground plane.
- VccRx, Vcc1 and VccTx are the receiving and transmission power suppliers and shall be applied concurrently.
- Vcc Rx, Vcc1 and Vcc Tx may be internally connected within the module in any combination. The connector pins are each rated for a maximum current of 1000 mA.

## QSFP28 Module Pad Layout



## Control Signals

This transceiver is SFF-8636 compliant. This means that the control signals shown in the pad layout support the following functions:

Name	Function	Description
ModPrsL	Output, asserted low	Module Present pin, grounded inside the module. Terminated with pull-up in the host system. Asserted low when the transceiver is inserted, whereby the host detects the presence of the transceiver.
ModSelL	Input, asserted Low	Module Select input pin, terminated high in the module. Only when held low by the host, the module responds to 2-wire serial communication commands. The ModSelL enables multiple modules to share a single 2-wire interface bus.
ResetL	Input, asserted Low	Reset input pin, pulled high in the module. A low level on the ResetL pin for longer than the minimum pulse length ( $t_{Reset\_init}$ ) initiates a complete module reset, returning all user module settings to their default state. During reset the host shall disregard all status bits until the module indicates completion of the reset interrupt by asserting IntL signal low with the Data_Not_Ready bit negated. Note that on power up (including hot insertion) the module completes the reset interrupt without requiring a reset.

Name	Function	Description
LPMode	Input, asserted high	Low Power Mode input, pulled up inside the module. The transceiver starts up in low-power mode, i.e. <1.5 W with the two-wire interface active. The host system can read the power class declaration from the transceiver and determine if it has enough power to enable the high-speed operation/ high power mode of the transceiver. This can be done by asserting LPMode low or by use of the Power_over-ride and Power_set control bits (Address A0h, byte 93 bits 0,1).
IntL	Output, asserted low	Interrupt Low is an open-collector output, terminated high in the host system. A “Low” indicates a possible module operational fault or a status critical to the host system, e.g. temperature alarm. The host identifies the source of the interrupt using the 2-wire serial interface. The INTL pin is de-asserted “High” after completion of reset, when byte 2 bit 0 (Data Not Ready) is read with a value of ‘0’.

The low-speed signals are Low Voltage TTL (LVTTTL) compliant (except for SCL and SDA signals).

## Diagnostics and Other Features

The transceiver complies with the SFF-8665 specification and has the following key features:

Physical layer link optimization:

- Programmable Tx input equalization
- Programmable Rx output amplitude
- Programmable Rx output pre-emphasis
- Tx/Rx CDR control  
by default enabled for 100 GbE operation, disable it for 40G operation

Digital Diagnostic Monitoring (DDM):

- Rx receive optical power monitor for each lane
- Tx transmit optical power monitor for each lane
- Tx bias current monitor for each lane
- Supply voltage monitor
- Transceiver case temperature monitor
- Warning and Alarm thresholds for each DDM function (not user changeable)

Other SFF-8636 functions and interrupt indications:

- Tx & Rx LOS indication
- Tx & Rx LOL indication
- Tx fault indication

LOS, LOL, and Tx Fault status flags can be read via the two-wire management interface and are jointly transmitted via the IntL output pin. Relevant advertisement, threshold, and readout registers are found in the SFF-8636 MSA.

# Specifications

## Absolute Maximum Specifications

Absolute maximum ratings are those beyond which permanent damage to the device may occur.

Parameter	Symbol	Min	Max	Units
Storage Temperature	$T_S$	-40	85	°C
Operating Case Temperature	$T_{OP}$	0	70	°C
Maximum Supply Voltage	Vcc	-0.5	3.6	V
Relative Humidity (non-condensing)	RH - Option 1	5	95	%
	RH - Option 2	15	85	%
Control Input Voltage	$V_I$	-0.3	Vcc+0.5	V
	$I_o$	-20	20	mA

## Recommended Operating Conditions and Power Supply Requirements

Parameter	Symbol	Min	Typ	Max	Units
Supply Voltage	VccRx, Vcc1, VccTx	3.135	---	3.465	V
Data Rate, each Lane	---	-100 ppm	25.78125	+ 100 ppm	Gbps
Control Input Voltage High	$V_{IH}$	$V_{CC} \cdot 0.7$	---	$V_{CC} + 0.3$	V
Control Input Voltage Low	$V_{IL}$	-0.3	---	$V_{CC} \cdot 0.3$	V
Power Supply Noise Tolerance (10Hz - 10MHz)				66	mVpp
Rx Differential Data Output Load			100	$\Omega$	
Link Distance with G.652 compliant fiber	Lmax	2	---	2000	m

## Electrical Specifications

Parameter	Symbol	Min	Typical	Max	Units	Notes
Power Consumption	$P_D$	---	---	3.5	W	
<b>Transmitter (each lane)</b>						
Differential Data Input Amplitude	$V_{IN,PP}$	95	---	900	mVpp	1
Differential termination mismatch				10	%	
LPMode, Reset and ModSelL	$V_{IL}$	-0.3	---	$V_{CC} \cdot 0.3$	V	
	$V_{IH}$	$V_{CC} \cdot 0.7$	---	$V_{CC} + 0.3$		
<b>Receiver (each lane)</b>						



Parameter	Symbol	Min	Typical	Max	Units	Notes
Differential Data Output Amplitude	V <sub>OUT,PP</sub>	250	---	900	mVpp	1
Differential termination mismatch		---	---	10	%	
Output Rise/Fall Time, 20% to 80%	t <sub>r</sub>	9.5	---	---	ps	
ModPrsL and IntL	VOL	0	---	0.4	V	I <sub>OL</sub> =4mA
	VOH	V <sub>CC</sub> -0.5	---	V <sub>CC</sub> +0.3	V	

Notes:

1. Amplitude customization beyond these specs is dependent on validation in customer system.

## Optical Specifications

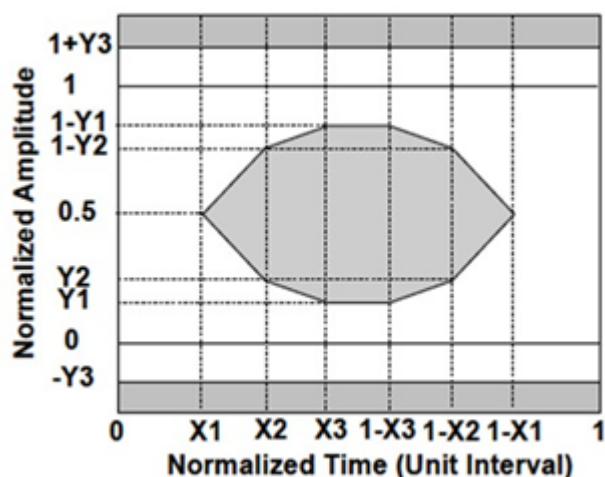
Parameter	Symbol	Min	Typical	Max	Units	Notes
Signaling Speed per Lane		25.78125 ± 100 ppm			Gb/s	1
Lane Wavelength	L0	1294.53	---	1296.59	nm	
	L1	1299.02	---	1301.09	nm	
	L2	1303.54	---	1305.63	nm	
	L3	1308.09	---	1310.19	nm	
<b>Transmitter</b>						
Sidemode Suppression Ratio (SMSR)	SMSR	30	---	---	dB	
Total Average Launch Power	PT	---	---	10.5	dBm	
Average Launch Power, each Lane	P <sub>AVG</sub>	-4.3		4.5	dBm	2, 7
Optical Modulation Amplitude (OMA), each Lane	P <sub>OMA</sub>	-1.3	---	4.5	dBm	
Extinction Ratio	ER	4	---	---	dB	
Relative Intensity Noise (RIN)	RIN	---	---	-130	dB/Hz	
Optical Return Loss Tolerance	ORLT	---	---	20	dB	
Transmitter Reflectance	RT	---	---	-12	dB	
Eye Mask {X1, X2, X3, Y1, Y2, Y3}		{0.25, 0.4, 0.45, 0.25, 0.28, 0.4}				3
Average Launch Power OFF Transmitter, each Lane	P <sub>OFF</sub>	---	---	-30	dBm	
<b>Receiver</b>						
Signaling Speed per Lane		25.78125 ± 100 ppm			GBd	4
Receive Power (OMA), each Lane	---	---	---	4.5	dBm	
Average Receive Power per Lane	RXPx	-10.6	---	4.5	dBm	5, 7
Receiver Sensitivity (OMA), each Lane	SEN	---	---	-8.6	dBm	

Parameter	Symbol	Min	Typical	Max	Units	Notes
Stressed Receiver Sensitivity (OMA), each Lane		---	---	-6.8	dBm	6
LOS De-Assert	LOS <sub>D</sub>	---	---	-11.6	dBm	
LOS Assert	LOS <sub>A</sub>	---	---	-13.6	dBm	
LOS Hysteresis	LOS <sub>H</sub>	---	1.5	---	dBm	

Notes:

1. Transmitter consists of 4 lasers operating at 25.78Gb/s each.
2. Minimum value is informative.
3. Hit ratio  $5 \times 10^{-5}$ .
4. Minimum value is informative, equals min Tx OMA with infinite ER and max channel insertion loss.
5. SRS is measured with vertical eye closure penalty of 1.8 dB max, J2 of 0.30 UI, and J9 of 0.47 UI.
6. Power value and power accuracy are with all channels enabled.

## Eye Mask Definition



## Electrostatic Discharge (ESD)

This product is compatible with ESD levels in typical data center operating environments and certified in accordance with the standards listed in the Regulatory Compliance Section. The product is shipped with protective caps on all connectors to protect it during shipping. In normal handling and operation of high-speed cables and optical transceivers, ESD is of concern during insertion into the OSFP cage of the server/switch. Hence, standard ESD handling precautions must be observed. These include use of grounded wrist/shoe straps and ESD floor wherever a cable/transceiver is extracted/inserted. Electrostatic discharges to the exterior of the host equipment chassis after installation are subject to system level ESD requirements.

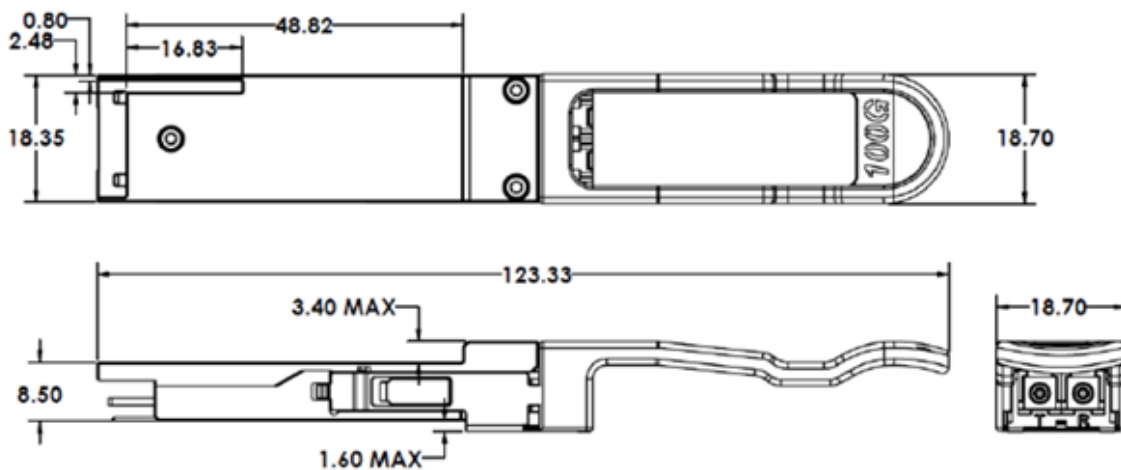
## Handling and Cleaning

The transceiver can be damaged by exposure to current surges and over voltage events. Take care to restrict exposure to the conditions defined in Absolute Maximum Ratings. Observe normal handling precautions for electrostatic discharge-sensitive devices. The transceiver is shipped with dust caps on both the electrical and the optical port. The cap on the optical port should always be in place when there is no fiber cable connected. The optical connector has a recessed connector surface which is exposed whenever it has no cable nor cap.

Prior to insertion of the fiber cable, clean the cable connector to prevent contamination from it. The dust cap ensures that the optics remain clean and no additional cleaning should be needed. In the event of contamination, standard cleaning tools and methods should be used. Liquids must not be applied.

## Mechanical Specifications

### Mechanical Dimensions



## Memory Map

The transceiver's memory map is compliant with the QSFP Management interface specification SFF-8636. See also the NVIDIA LinkX<sup>®</sup> Memory Map Application Note (MLNX-15-5926).


## Label

The following label is applied on the transceiver's backshell:



(sample illustration)

## Backshell Label Legend

Symbol	Meaning	Notes
<b>SN - Serial Number</b>		
MT	Manufacturer name	2 characters (MT)
YY	Year of manufacturing	2 digits
WW	Week of manufacturing	2 digits
DM	Manufacturer site	2 characters
ZZZZZ	Serial number	5 digits for serial number, starting from 00001. Reset at start of week to 00001.
<b>Miscellaneous</b>		
ZZ	HW and SW revision	2 alpha-numeric characters
YYYY	Year of manufacturing	4 digits
MM	Month of manufacturing	2 digits
DD	Day of manufacturing	2 digits
COO	Country of origin	E.g. China or Malaysia
	Quick response code	Serial number (MTYYWWXXSSSS)

## Regulatory Compliance and Classification

The laser module is classified as class I according to IEC 60825-1, IEC 60825-2 and 21 CFR 1040 (CDRH).

- Safety: FDA/CDRH, TUV, UL/CSA, ACMA
- EMC: NTS

Ask your NVIDIA FAE for a zip file of the certifications for this product.

## FCC Class A Notice

Each of the devices complies with CFR47 FCC Class A Part 15 of the FCC Rules. Operation is subject to the following two conditions:

1. This device may not cause harmful interference.

2. This device must accept any interference received, including interference that may cause undesired operation.

Note: This equipment has been tested and found to comply with the limits for a Class A digital device, pursuant to Part 15 of the FCC Rules. These limits are designed to provide reasonable protection against harmful interference in a residential installation. This equipment generates, uses and can radiate radio frequency energy and, if not installed and used in accordance with the instructions, may cause harmful interference to radio communications. However, there is no guarantee that interference will not occur during installation. If this equipment does cause harmful interference to radio or television reception, which can be determined by turning the equipment off and on, the user is encouraged to try to correct the interference by one or more of the following measures:

- Reorient or relocate the receiving antenna.
- Increase the separation between the equipment and receiver.
- Connect the equipment into an outlet on a circuit different from that to which the receiver is connected.
- Consult the dealer or an experienced radio/television technician for help.

Modifications: Any modifications made to this device that are not approved by NVIDIA may void the authority granted to the user by the FCC to operate this equipment.



---

## Ordering Information

Ordering Part Number	Description
MMA1L10-CR	Optical transceiver, 100GbE, 100Gb/s, QSFP28, LC-LC, 1310nm, LR4 up to 10km

---

## References

1. SFF-8665: “QSFP+ 28Gb/s 4X Pluggable Transceiver Solution (QSFP28)”, and associated SFF documents) available at <http://www.snia.org/sff/specifications>.
  - a. SFF-8661
  - b. SFF-8679
  - c. SFF-8636
  - d. SFF-8662
  - e. SFF-8663
  - f. SFF-8672
  - g. SFF-8683
2. IEEE 802.3ba, PMD Type 100GBASE-LR4.
3. IEEE 802.3bm, Annex 83E, CAUI-4 Interface.
4. Cable and Transceiver Handling and FAQ - NVIDIA Application Note (MLNX-15-3603)
5. Measuring Eye Parameters - NVIDIA Application Note (MLNX-15-5400)

For further information, please contact your sales representative or the NVIDIA support team.

---

## Appendix: Optical Connector and Patch Cable

The optical port in the MMA1L10-CR 100GBASE-LR4 optical transceiver is a duplex LC receptacle.

The cable to use between transceivers of this type is a two-fiber single-mode cable, terminated in duplex LC connectors.

*Two fiber single mode cable with duplex LC connectors*



One fiber for transmitting, the other for receiving.



## Appendix: 40G Operation

This transceiver is SFF-8636 compliant. Its EEPROM contains advertisement bytes (bytes 193, 194 and 224) which contains information on its implemented features. These are read-only and cannot be changed by the host system.

The command registers are used to set programmable functions, i.e. they are writeable, but fall back to their default values when the transceiver is turned off/on. The command registers are bytes 98, 234-239 and have the functions listed below.

The transceiver comprises programmable input equalization in the transmit direction (to the fiber) as well as programmable equalization in the receive direction (from the fiber). Selectable retiming is implemented in all lanes in both transmit and receive direction and is enabled for 100G transmission by default.

### Control of Equalizer, Emphasis and Retiming

Page 00 Byte	Bit	Description	Default
193 Advertisement	2	Programmable Tx input equalizers implemented (1 = implemented)	1
	1	Programmable Rx output emphasis implemented (1 = implemented)	1
	0	Programmable Rx output Amplitude (1=implemented)	1
194 Advertisement	7	Tx CDR on/off control implemented (1 = implemented)	1
	6	Rx CDR on/off control implemented (1 = implemented)	1
	5	Tx CDR Loss-of-Lock (LOL) flag implemented (1 = implemented)	1
	4	Rx CDR Loss-of-Lock (LOL) flag implemented (1 = implemented)	1
98 Retiming Control	7	Tx4 CDR control (1 = enabled)	1
	6	Tx3 CDR control (1 = enabled)	1
	5	Tx2 CDR control (1 = enabled)	1
	4	Tx1 CDR control (1 = enabled)	1
	3	Rx4 CDR control (1 = enabled)	1
	2	Rx3 CDR control (1 = enabled)	1
	1	Rx2 CDR control (1 = enabled)	1
	0	Rx1 CDR control (1 = enabled)	1

Note: Set all CDR controls to 0 for 4 x 10 = 40 Gbps operation.

Page 03 Byte	Bit	Description	Default
224 Advertisement	7-4	Maximum Tx input equalization implemented	7
	3-0	Maximum Rx output emphasis implemented	7
234 Control	7-4	Tx1 input Equalizer Control	4
	3-0	Tx2 input Equalizer Control	4
235 Control	7-4	Tx3 input Equalizer Control	4
	3-0	Tx4 input Equalizer Control	4

Page 03 Byte	Bit	Description	Default
236 Control	7-4	Rx1 output Emphasis Control	2
	3-0	Rx2 output Emphasis Control	2
237 Control	7-4	Rx3 output Emphasis Control	2
	3-0	Rx4 output Emphasis Control	2
238 Control	7-4	Rx1 output Amplitude Control	7
	3-0	Rx2 output Amplitude Control	7
239 Control	7-4	Rx3 output Amplitude Control	7
	3-0	Rx4 output Amplitude Control	7

Note: Addresses are in decimal in accordance with the terminology used in SFF-8636.

NVIDIA switches and NICs automatically set both emphasis, amplitude, equalization, and retiming as part of the link-up procedure.

The transceiver's compliance with the SFF-8636 standard allows it to be used in other systems, but the retiming may need to be configured manually and equalization and emphasis may need further optimization for best performance.

## Document Revision History

Version	Date	Description of Change
1.6	Nov. 2021	Reformatted and rebranded; migrated to HTML.
1.5	Mar. 2021	Updated the product label. Added Configuration for 40G Operation. Updated document template.
1.4	Sep. 2020	Added 40GbE support information, Control Signals description, optical connector interface + cable specification in Appendix A, and References. Updated DDM info under Diagnostics and Other Features and the Regulatory Compliance and Classification list. Minor text edits.
1.3	Jun. 2018	Introduction and Key Features - Added text about IB support.
1.2	July 19, 2017	New document format. Figure 1- Removed option 1. Table 5: Electrical Module Specifications - Changed Power Consumption from 4.5 to 3.5W, and more. Table 6: Transceiver Optical Specifications - Updated. Regulatory Compliance - New. Removed "Figure: Mechanical Dimensions Option 1".
1.1	Jan. 19, 2017	Table: Absolute Maximum Ratings; Updated Power Supply Voltage symbols. Table: Recommended Operating Conditions and Power Supply Requirements Updated Power and Voltage symbols, Data Rate min and max values. Table: Electrical Module Specifications- Updated symbols, and Note 1. Table: Transceiver Optical Specifications Updated symbols and notes Table: Back-Shell Label Legend - New. Appendix: Parallel Fiber Cables for 4 Channel Transceivers - Removed.
1.0	Dec. 20, 2016	Initial release.

## Notice

This document is provided for information purposes only and shall not be regarded as a warranty of a certain functionality, condition, or quality of a product. Neither NVIDIA Corporation nor any of its direct or indirect subsidiaries and affiliates (collectively: "NVIDIA") make any representations or warranties, expressed or implied, as to the accuracy or completeness of the information contained in this document and assumes no responsibility for any errors contained herein. NVIDIA shall have no liability for the consequences or use of such information or for any infringement of patents or other rights of third parties that may result from its use. This document is not a commitment to develop, release, or deliver any Material (defined below), code, or functionality.

NVIDIA reserves the right to make corrections, modifications, enhancements, improvements, and any other changes to this document, at any time without notice. Customer should obtain the latest relevant information before placing orders and should verify that such information is current and complete.

NVIDIA products are sold subject to the NVIDIA standard terms and conditions of sale supplied at the time of order acknowledgement, unless otherwise agreed in an individual sales agreement signed by authorized representatives of NVIDIA and customer ("Terms of Sale"). NVIDIA hereby expressly objects to applying any customer general terms and conditions with regards to the purchase of the NVIDIA product referenced in this document. No contractual obligations are formed either directly or indirectly by this document.

NVIDIA products are not designed, authorized, or warranted to be suitable for use in medical, military, aircraft, space, or life support equipment, nor in applications where failure or malfunction of the NVIDIA product can reasonably be expected to result in personal injury, death, or property or environmental damage. NVIDIA accepts no liability for inclusion and/or use of NVIDIA products in such equipment or applications and therefore such inclusion and/or use is at customer's own risk.

NVIDIA makes no representation or warranty that products based on this document will be suitable for any specified use. Testing of all parameters of each product is not necessarily performed by NVIDIA. It is customer's sole responsibility to evaluate and determine the applicability of any information contained in this document, ensure the product is suitable and fit for the application planned by customer, and perform the necessary testing for the application in order to avoid a default of the application or the product. Weaknesses in customer's product designs may affect the quality and reliability of the NVIDIA product and may result in additional or different conditions and/or requirements beyond those contained in this document. NVIDIA accepts no liability related to any default, damage, costs, or problem which may be based on or attributable to: (i) the use of the NVIDIA product in any manner that is contrary to this document or (ii) customer product designs.

No license, either expressed or implied, is granted under any NVIDIA patent right, copyright, or other NVIDIA intellectual property right under this document. Information published by NVIDIA regarding third-party products or services does not constitute a license from NVIDIA to use such products or services or a warranty or endorsement thereof. Use of such information may require a license from a third party under the patents or other intellectual property rights of the third party, or a license from NVIDIA under the patents or other intellectual property rights of NVIDIA.

Reproduction of information in this document is permissible only if approved in advance by NVIDIA in writing, reproduced without alteration and in full compliance with all applicable export laws and regulations, and accompanied by all associated conditions, limitations, and notices.

THIS DOCUMENT AND ALL NVIDIA DESIGN SPECIFICATIONS, REFERENCE BOARDS, FILES, DRAWINGS, DIAGNOSTICS, LISTS, AND OTHER DOCUMENTS (TOGETHER AND SEPARATELY, "MATERIALS") ARE BEING PROVIDED "AS IS." NVIDIA MAKES NO WARRANTIES, EXPRESSED, IMPLIED, STATUTORY, OR OTHERWISE WITH RESPECT TO THE MATERIALS, AND EXPRESSLY DISCLAIMS ALL IMPLIED WARRANTIES OF NON-INFRINGEMENT, MERCHANTABILITY, AND FITNESS FOR A PARTICULAR PURPOSE. TO THE EXTENT NOT PROHIBITED BY LAW, IN NO EVENT WILL NVIDIA BE LIABLE FOR ANY DAMAGES, INCLUDING WITHOUT LIMITATION ANY DIRECT, INDIRECT, SPECIAL, INCIDENTAL, PUNITIVE, OR CONSEQUENTIAL DAMAGES, HOWEVER CAUSED AND REGARDLESS OF THE THEORY OF LIABILITY, ARISING OUT OF ANY USE OF THIS DOCUMENT, EVEN IF NVIDIA HAS BEEN ADVISED OF THE POSSIBILITY OF SUCH DAMAGES. Notwithstanding any damages that customer might incur for any reason whatsoever, NVIDIA's aggregate and cumulative liability towards customer for the products described herein shall be limited in accordance with the Terms of Sale for the product.

## Trademarks

NVIDIA, the NVIDIA logo, and Mellanox are trademarks and/or registered trademarks of NVIDIA Corporation and/or Mellanox Technologies Ltd. in the U.S. and in other countries. Other company and product names may be trademarks of the respective companies with which they are associated.



Copyright

© 2023 NVIDIA Corporation & affiliates. All Rights Reserved.

